

4

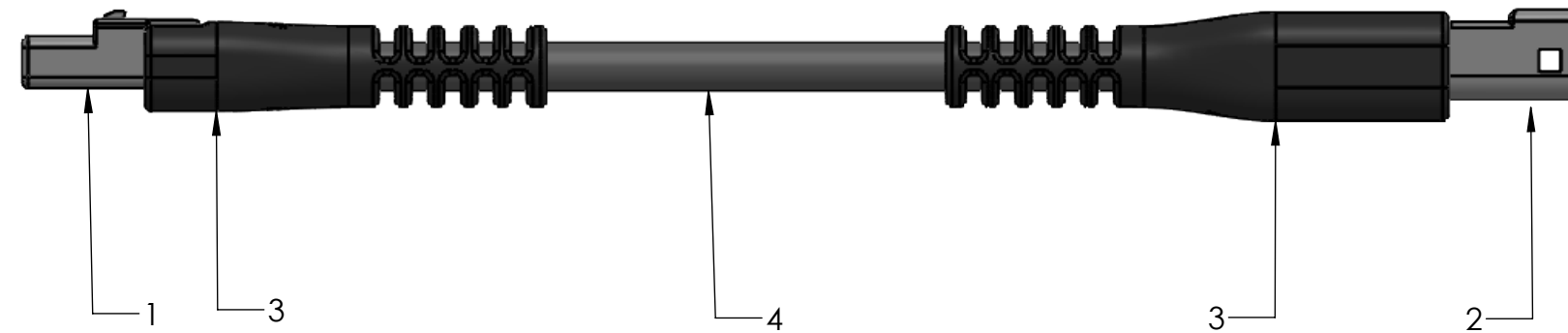
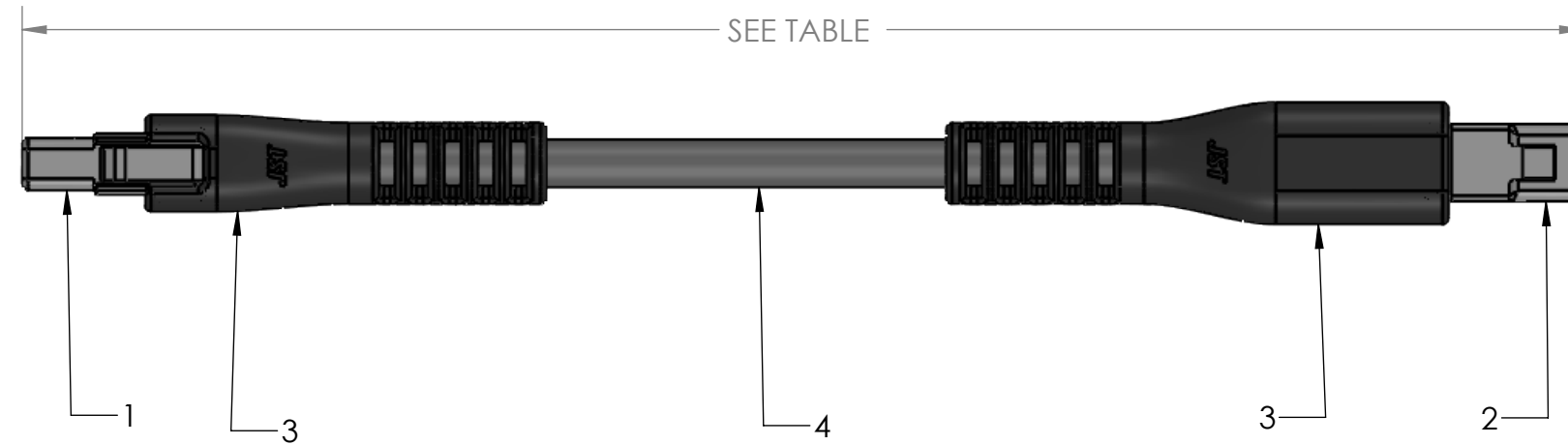
3

2

1

ITEM NO.	PART NUMBER	DESCRIPTION	QTY.
1	02R-JWPF-VKLE-S	HOUSING	1
1	SWPR-001T-P025	TERMINAL	2
2	02T-JWPF-VKLE-S	HOUSING	1
2	SWPT-001T-P025	TERMINAL	2
3	SPECTRA-MELT SM301	BLACK LOW PRESSURE RESIN	
4	JACKETED CABLE	22AWG, 2 COND, BLACK	SEE TABLE

TABLE 1	
PART NUMBER	OVER LENGTH
02TJWPF02RJWPF22KJ457OM	457.2 ± 12.7
02TJWPF02RJWPF22KJ914OM	914.2 ± 12.7
02TJWPF02RJWPF22KJ1981OM	1981.2 ± 12.7



DIMENSIONS All dimensions are in MM with a tolerance of ± 5.0 unless otherwise specified.	CUSTOMER NAME	CUSTOMER PART NUMBER
	DESCRIPTION 2C M-F JWPF OVERMOLDED ASSEMBLY (1:1)	
DRAWN BY NICHOLAS ALEXANDER	PART NO. SEE TABLE 1	
CHECKED BY	DRAWING NO. GAM-002-OM	DATE 1/23/2024

4

3

2

1