

4

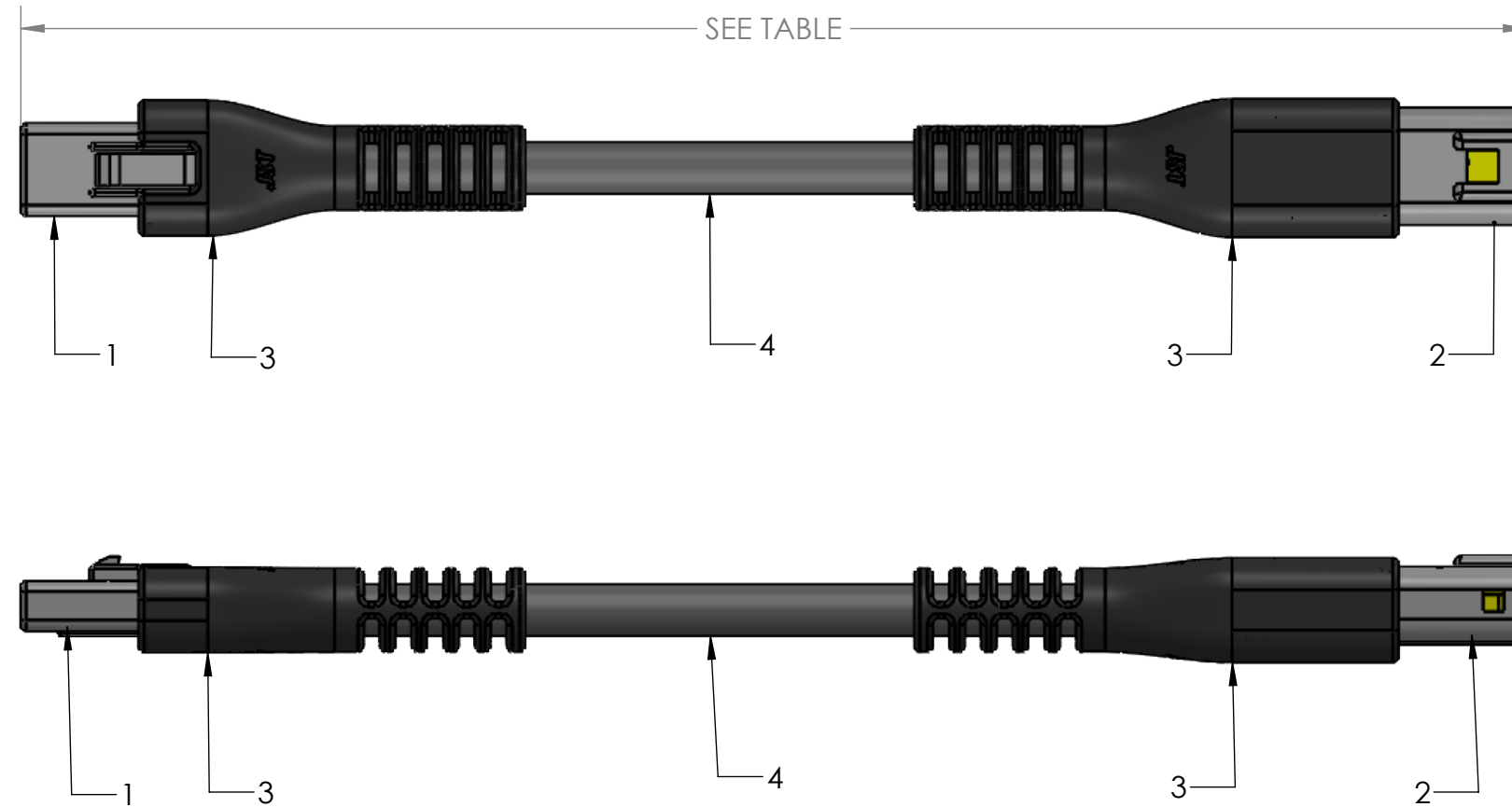
3

2

1

ITEM NO.	PART NUMBER	DESCRIPTION	QTY.
1	04R-JWPF-VKLE-S	HOUSING	1
1	SWPR-001T-P025	TERMINAL	4
2	04T-JWPF-VKLE-S	HOUSING	1
2	SWPT-001T-P025	TERMINAL	4
3	SPECTRA-MELT SM301	BLACK LOW PRESSURE RESIN	
4	JACKETED CABLE	22AWG, 4COND, BLACK	SEE TABLE

TABLE	
PART NUMBER	OVERALL LENGTH
A04TJWPF04RJWPF22KJ457OM	457.2 ± 12.7
A04TJWPF04RJWPF22KJ914OM	914.2 ± 12.7
A04TJWPF04RJWPF22KJ1981OM	1981.2 ± 12.7



DIMENSIONS All dimensions are in MM with a tolerance of ± 5.0 unless otherwise specified.	CUSTOMER NAME	CUSTOMER PART NUMBER
	DESCRIPTION 4C M-F JWPF OVERMOLDED ASSEMBLY (1:1)	
DRAWN BY NICHOLAS ALEXANDER	PART NO. SEE TABLE	
CHECKED BY	DRAWING NO. GAM-008-OM	DATE 1/23/24

4

3

2

1

B

A