

4

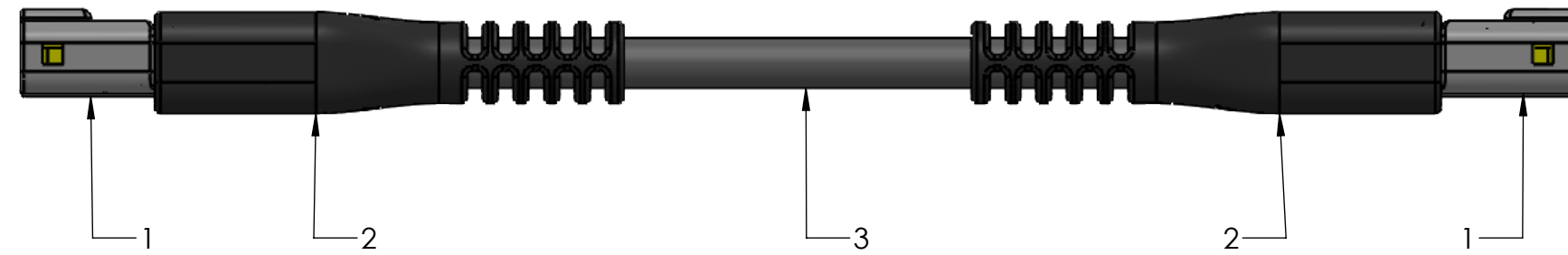
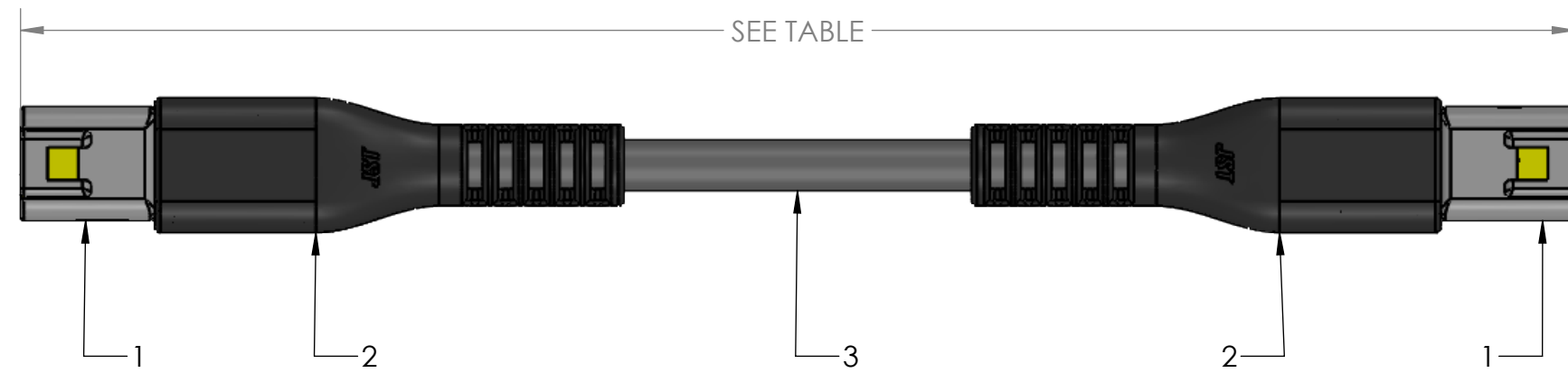
3

2

1

ITEM NO.	PART NUMBER	DESCRIPTION	QTY.2
1	04T-JWPF-VKLE-S	HOUSING	2
1	SWPT-001T-P025	TERMINAL	8
2	SPECTRA-MELT SM301	BLACK LOW PRESSURE RESIN	
3	JACKETED CABLE	22AWG, 4 COND, BLACK	SEE TABLE

TABLE 1	
PART NUMBER	OVERALL LENGTH
04TJWPF04TJWPF22KJ457OM	457.2 ± 12.7
04TJWPF04TJWPF22KJ914OM	914.2 ± 12.7
04TJWPF04TJWPF22KJ1981OM	1981.2 ± 12.7



DIMENSIONS All dimensions are in MM with a tolerance of ± 5.0 unless otherwise specified.	CUSTOMER NAME	CUSTOMER PART NUMBER
	DESCRIPTION 4C M-M JWPF OVERMOLDED ASSEMBLY (1:1)	
DRAWN BY NICHOLAS ALEXANDER	PART NO. SEE TABLE	
CHECKED BY	DRAWING NO. GAM-009-OM	DATE 1/23/24

4

3

2

1

B

A