

4

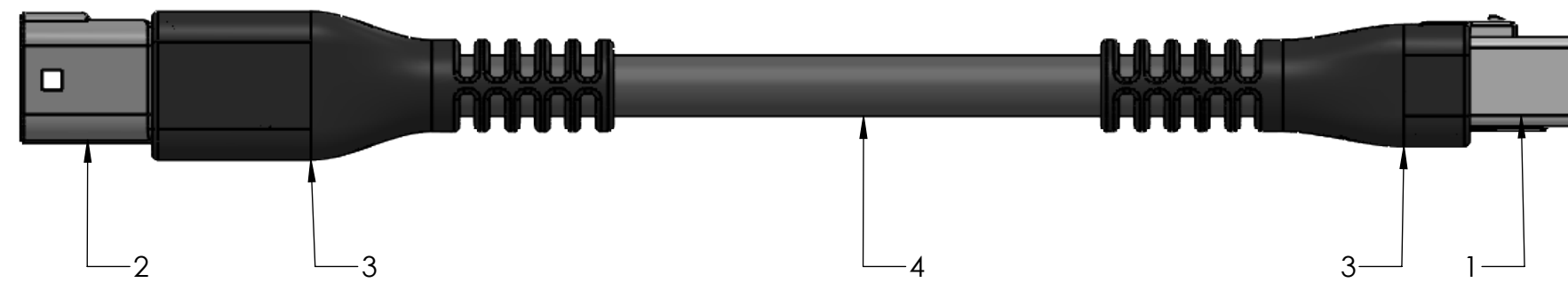
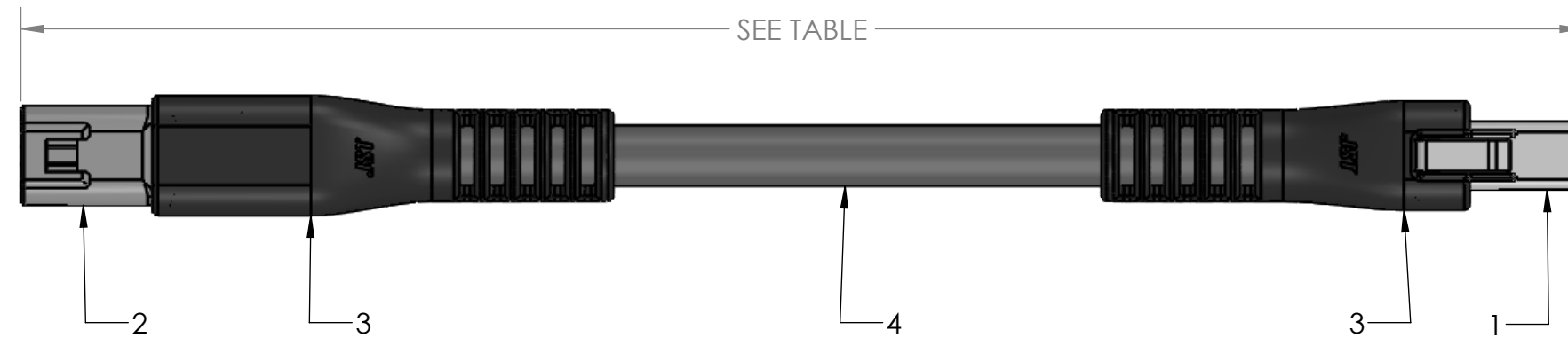
3

2

1

ITEM NO.	PART NUMBER	DESCRIPTION	QTY.
1	06R-JWPF-VKLE-D	HOUSING	1
1	SWPR-001T-P025	TERMINAL	6
2	06T-JWPF-VKLE-D	HOUSING	1
2	SWPT-001T-P025	TERMINAL	6
3	SPECTRA-MELT SM301	BLACK LOW PRESSURE RESIN	
4	JACKETED CABLE	22AWG, 6 COND, BLACK	SEE TABLE

TABLE 1	
PART NUMBER	OVERALL LENGTH
A06TJWPF06RJWPF22KJ457OM	457.2 ± 12.7
A06TJWPF06RJWPF22KJ914OM	914.2 ± 12.7
A06TJWPF06RJWPF22KJ1981OM	1981.2 ± 12.7



DIMENSIONS All dimensions are in MM with a tolerance of ± 5.0 unless otherwise specified.	CUSTOMER NAME	CUSTOMER PART NUMBER
	DESCRIPTION 6C M-F JWP OVERMOLDED ASSEMBLY (1:1)	
DRAWN BY NICHOLAS ALEXANDER	PART NO. SEE TABLE	
CHECKED BY	DRAWING NO. GAM-011-OM	DATE 1/24/23

4

3

2

1