

4

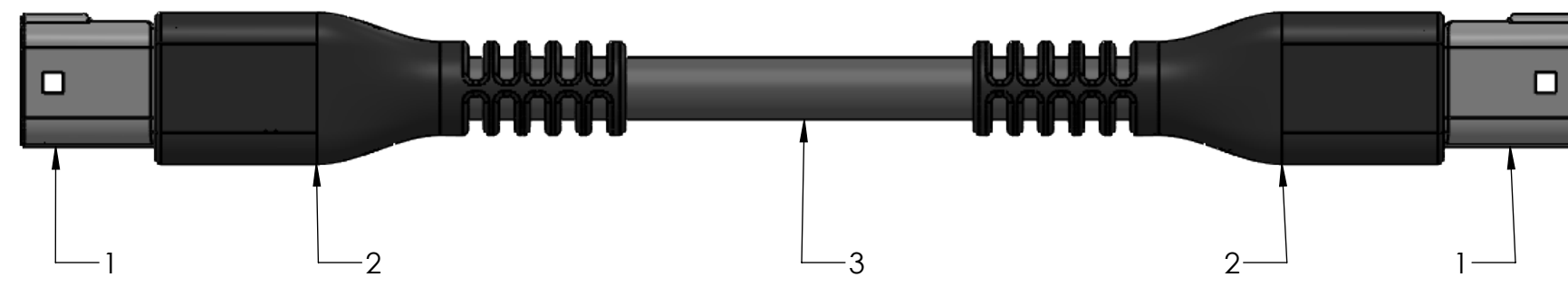
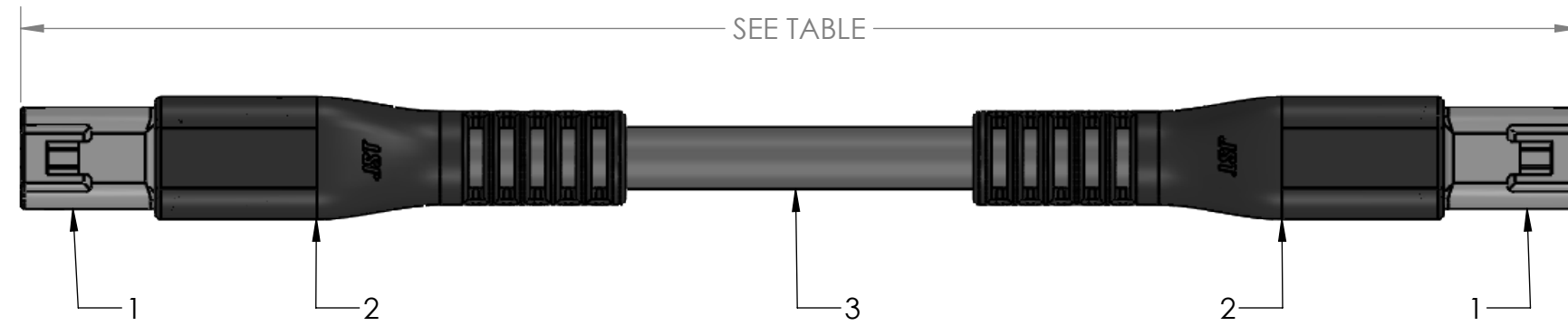
3

2

1

ITEM NO.	PART NUMBER	DESCRIPTION	QTY.
1	06T-JWPF-VKLE-D	HOUSING	2
1	SWPT-001T-P025	TERMINAL	12
2	SPECTRA-MELT SM301	BLACK LOW PRESSURE RESIN	
3	JACKETED CABLE	22AWG, 6 COND, BLACK	SEE TABLE

TABLE 1	
PART NUMBER	OVERALL LENGTH
06TJWPF06TJWPF22KJ457OM	457.2 ± 12.7
06TJWPF06TJWPF22KJ914OM	914.2 ± 12.7
06TJWPF06TJWPF22KJ1981OM	1981 ± 12.7



JST

DIMENSIONS All dimensions are in MM with a tolerance of ± 5.0 unless otherwise specified.	CUSTOMER NAME	CUSTOMER PART NUMBER
	DESCRIPTION 6C M-M JWPF OVERMOLDED ASSEMBLY (1:1)	
DRAWN BY NICHOLAS ALEXANDER	PART NO. SEE TABLE	
CHECKED BY	DRAWING NO. GAM-012-OM	DATE 1/23/24

4

3

2

1

B

A