

4

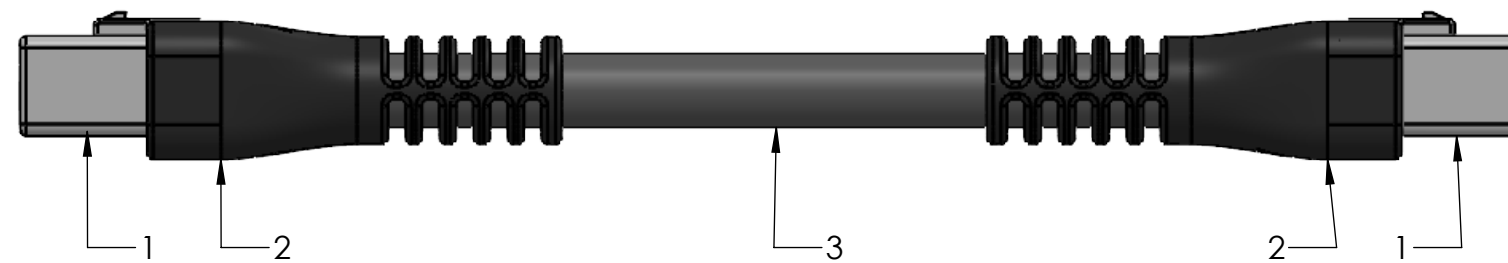
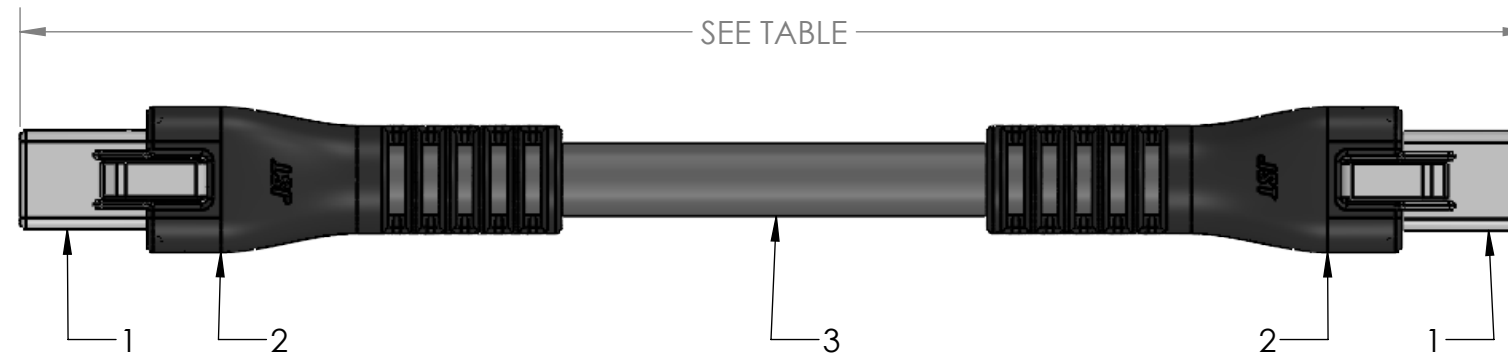
3

2

1

| ITEM NO. | PART NUMBER | DESCRIPTION | QTY. |
|----------|--------------------|--------------------------|-----------|
| 1 | 08R-JWPF-VKLE-D | HOUSING | 2 |
| 1 | SWPR-001T-P025 | TERMINAL | 16 |
| 2 | SPECTRA-MELT SM301 | BLACK, LOW PRESURE RESIN | |
| 3 | JACKETED CABLE | 22AWG, 8COND, BLACK | SEE TABLE |

| TABLE 1 | |
|---------------------------|----------------|
| PART NUMBER | OVERALL LENGTH |
| A08RJWPF08RJWPF22KJ457OM | 457.2 ± 12.7 |
| A08RJWPF08RJWPF22KJ914OM | 914.2 ± 12.7 |
| A08RJWPF08RJWPF22KJ1981OM | 1981.2 ± 12.7 |



| | | |
|--|--|----------------------|
| DIMENSIONS All dimensions are in MM with a tolerance of ± 5.0 unless otherwise specified. | CUSTOMER NAME | CUSTOMER PART NUMBER |
| | DESCRIPTION 8C F-F JWPF OVERMOLDED ASSEMBLY (1:1) | |
| DRAWN BY NICHOLAS ALEXANDER | PART NO. SEE TABLE | |
| CHECKED BY | DRAWING NO. GAM-013-OM | DATE 1/23/24 |

4

3

2

1

B

A