

4

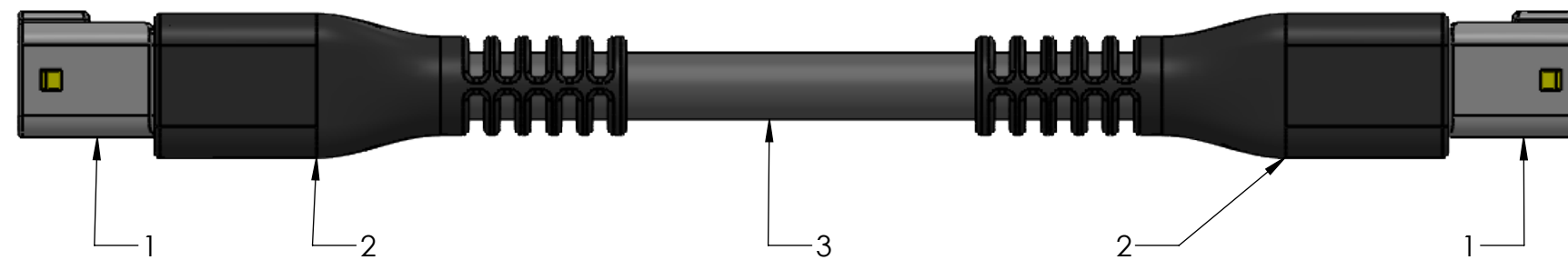
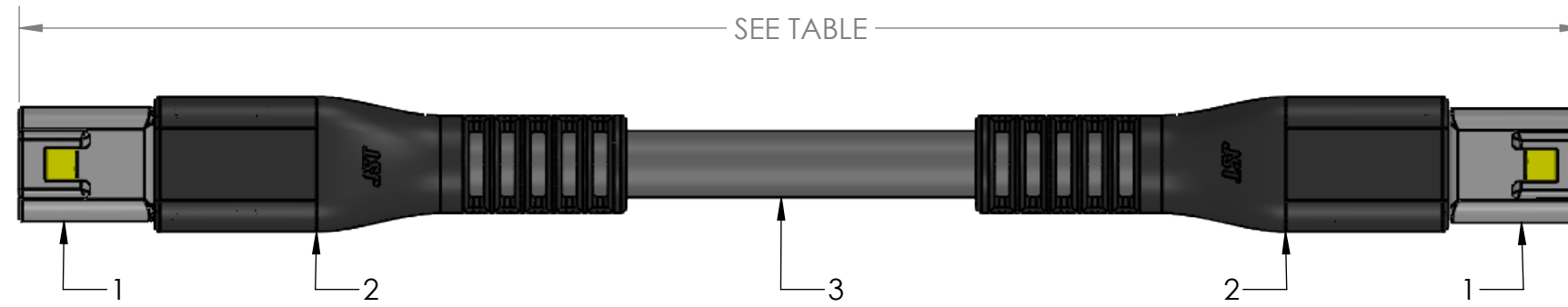
3

2

1

| ITEM NO. | PART NUMBER        | DESCRIPTION              | QTY.      |
|----------|--------------------|--------------------------|-----------|
| 1        | 08T-JWPF-VKLE-D    | HOUSING                  | 2         |
| 1        | SWPT-001T-P025     | TERMINAL                 | 16        |
| 2        | SPECTRA-MELT SM301 | BLACK LOW PRESSURE RESIN |           |
| 3        | JACKETED CABLE     | 22AWG, 8 COND, BLACK     | SEE TABLE |

| TABLE 1                   |                |
|---------------------------|----------------|
| PART NUMBER               | OVERALL LENGTH |
| A08TJWPF08TJWPF22KJ457OM  | 457.2 ± 12.7   |
| A08TJWPF08TJWPF22KJ914OM  | 914.2 ± 12.7   |
| A08TJWPF08TJWPF22KJ1981OM | 1981.2 ± 12.7  |



|  |  |                      |
|--|--|----------------------|
| DIMENSIONS<br>All dimensions are in MM with a tolerance of ± 5.0 unless otherwise specified. | CUSTOMER NAME  | CUSTOMER PART NUMBER |
|  | DESCRIPTION<br>8C M-M JWPF OVERMOLDED ASSEMBLY (1:1) |                      |
| DRAWN BY<br>NICHOLAS ALEXANDER   | PART NO.<br>SEE TABLE                                |                      |
| CHECKED BY   | DRAWING NO.<br>GAM-015-OM                            | DATE<br>1/24/24      |

4

3

2

1