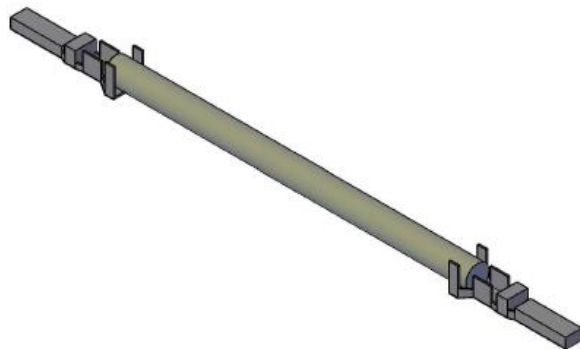
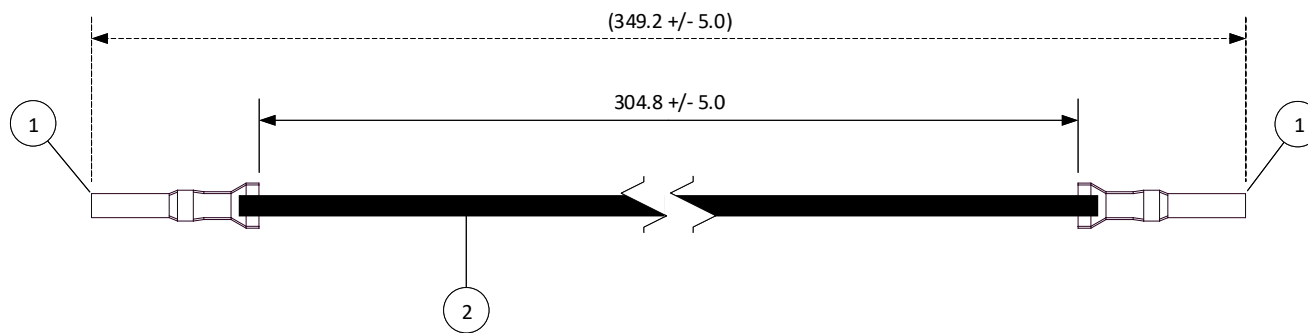


THIS DRAWING CONTAINS INFORMATION THAT IS PROPRIETARY TO J.S.T. AND SHALL NOT BE USED OR SHOWN WITHOUT WRITTEN PERMISSION.

4			3		2		1
ITEM	CONNECTOR PART NO.	DESCRIPTION	IPI CHECK	EOR CHECK	Applicable Tooling		
1	SVM-61T-P2.0	VL CONNECTOR - MALE CONTACT			APPLICATOR		
2	UL1015, 14 AWG	BLACK			<b>Applicable Housings</b>		

NO. OF CIRCUITS	HOUSING PART NO. WITH PANEL LOCKS	HOUSING PART NO. WITHOUT PANEL LOCKS
1	-	VLR-01VF
2	VLR-02V	VLR-02VF
3	VLR-03V	-
4	VLR-04V	VLR-04VF
4	VLR-04VN	-
6	VLR-06V	-
8	VLR-08V	-
12	VLR-12V	-



SCALE <b>1:1</b>	CUSTOMER NAME	CUSTOMER PART NO.
DIMENSIONS All dimensions are in MM with a tolerance of $\pm 3.0$ unless otherwise specified.	DESCRIPTION 6.2 mm Pitch VL Series Standard Leads - 12" Inside Length DOUBLE-END LEADS, M-M	
DRAWN BY STEVEN PILKINGTON	ASSEMBLY PART NO. ASVMSVM14K305	
CHECKED BY JUSTIN BAKER	DRAWING NO. & REVISION GAM-096	REVISED 3/9/2016

REV.	DESCRIPTION	DATE	BY
------	-------------	------	----

4 3 2 1