

THIS DRAWING CONTAINS INFORMATION THAT IS PROPRIETARY TO J.S.T. AND SHALL NOT BE USED OR SHOWN WITHOUT WRITTEN PERMISSION.

4		3		2		1	
ITEM	CONNECTOR PART NO.	DESCRIPTION	IPI CHECK	EOR CHECK	Applicable Tooling		
1	SRSF-82-250A	RSF CONTACT, BRASS			APPLICATOR		
2	UL1015, 16 AWG	BLACK (X2)					

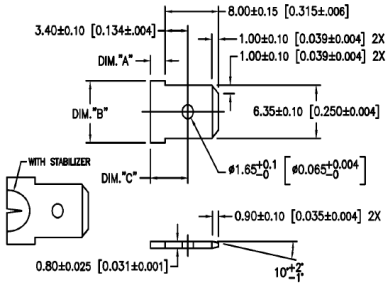
### Applicable Housings

NO. OF CIRCUITS	KEYLESS HOUSING PART NO.
2	RSFP-2V-00
3	RSFP-3V-00
4	RSFP-4V-00
5	RSFP-5V-00
6	RSFP-6V-00
7	RSFP-7V-00
8	RSFP-8V-00
9	RSFP-9V-00
10	RSFP-10V-00
11	RSFP-11V-00
12	RSFP-12V-00

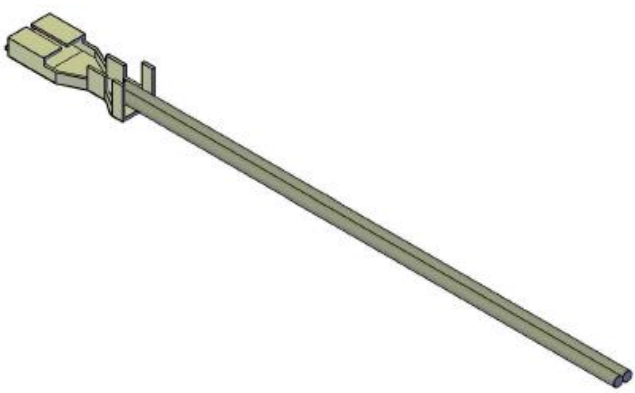
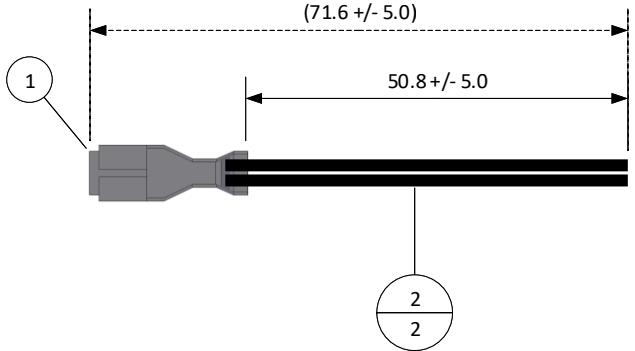
Other housings and configurations are available. Please contact JST for details.

#### SUGGESTED MATING TAB NO SCALE

	WITHOUT STABILIZER	WITH STABILIZER
DIM. "A"	2.20 [0.087] MIN.	4.20±0.15 [0.165±0.006]
DIM. "B"	7.40 [0.291] MIN.	7.98 [0.314] MIN.
DIM. "C"	5.90 [0.232] MAX.	(7.6)



**MATING TAB NOTES:**  
4. MAT'L: BRASS.  
FINISH: SUGGESTED NO PLATING.



SCALE	CUSTOMER NAME	CUSTOMER PART NO.
1: 1		
DIMENSIONS	DESCRIPTION	
All dimensions are in MM with a tolerance of +/- 3.0 unless otherwise specified.	2" LIF, POS LOCK, .250, SINGLE-END, DOUBLE-CRIMP LEADS, BRASS, F-F	
DRAWN BY	ASSEMBLY PART NO.	
STEVEN PILKINGTON	ASRSF2X16K51A	
CHECKED BY	DRAWING NO. & REVISION	REVISED
JUSTIN BAKER	GAM-151	3/16/2016

REV.	DESCRIPTION	DATE	BY